

EASYLOAD

Effortless loading of up to 500 kg

EN



metalcraft
GLASS RACKING



Loading
Systems

MAX SPACE.
MAX SAFETY.
MAX EFFICIENCY.

WE ARE AT YOUR SERVICE

EasyLoad by MAD is more than just a loading solution. It is a reliable partner that makes the work of professionals easier and safer every day.

We have been developing solutions for the automotive sector since 1976. Our EasyLoad product range is carefully composed, meets the highest quality standards and is designed to last.

metalcraft
GLASS RACKING



CONTENTS

- 4** Get to know EasyLoad
- 6** Technical advantages
- 8** Good employership
- 10** EasyLoad in practice
- 12** Points of attention for the right composition

Delivery programme

- 14** EasyLoad 250
- 16** EasyLoad 500
- 18** EasyLoad with anchor point for fall arrest device
- 20** EasyLoad 501 & 502
- 22** Accessories & spare parts





250kg
550lbs

MADY



EASYLOAD

One person, maximum efficiency

EasyLoad is designed for maximum efficiency, safety and ease of use. This advanced loading system makes it possible to load and unload heavy and difficult-to-handle objects of up to 500 kg effortlessly, by one person, without extra help or physical strain.

Whether they are construction materials, tools or other heavy loads, EasyLoad makes work significantly easier and safer. Because on-site loading and unloading can be carried out by one person, it provides maximum efficiency under optimal working conditions.

Maximum space

EasyLoad mounting frames are designed to be positioned as close as possible to the side walls of the vehicle. This keeps the cargo space maximally available.

After use, you safely secure the EasyLoad at the side of the cargo space. This keeps the cargo space optimally accessible, e.g. above the racking system.

Easy installation

For vans, EasyLoad includes a mounting frame: A plug-and-play system that is installed in about four hours and is immediately ready for use.

TECHNICAL ADVANTAGES

At a glance

1 Compact design

EasyLoad is designed to be extremely compact. The entire system takes up only 3% of the cargo space.

2 Universal frames

Mounting frames are available for vans and special crossbeam sets are available for box vans and trailers. Frames and crossbeams can be customised.

3 Various cable lengths

EasyLoad is available with different cable lengths. This also makes it possible to work far below ground level. The length of the hoisting cable differs depending on the version.

4 Up to 500 kg hoisting capacity

EasyLoad is made to move heavy and difficult-to-handle objects. You can choose between a lifting capacity of 250 kg or 500 kg.

The 500 kg version is available with anchor point for a fall arrest device. See EasyLoad 502, p. 20.





5

Horizontal displacement

EasyLoad covers the horizontal plane in both the width and length direction of the vehicle. In the width direction, you slide the EasyLoad over the cross-beams and for longitudinal movement, you operate the lifting beam.

6

Simple operation

The EasyLoad comes standard with a wired remote control. A wireless remote control is also available as an option.





GOOD EMPLOYERSHIP

Safe & responsible

Working safely and responsibly starts with the right tools. EasyLoad prevents physical overload, back injuries and therefore unplanned downtime. This is not only better for your employees' health and job satisfaction, but also for business continuity.

EASYLOAD



Ensures safe working conditions and good employership



Prevents back problems and unplanned downtime



Prevents consequential costs, such as medical costs and health damage claims



Leads to more efficient operations, as 1 person can load and unload



Low costs in relation to high benefits

Your extra helping hand for € 100 per month

For just € 100 a month, EasyLoad effectively provides you with an extra pair of hands. This allows you to use staff smarter and more efficiently.

Commercial vehicles on average are replaced after five years. A big advantage of EasyLoad is that the system can easily be transferred to another vehicle. With normal use, an EasyLoad will last at least 10 years. Add to that the installation, conversion and periodic maintenance costs, and the monthly integral cost is only € 100.

That is not expensive for additional assistance, which also avoids potential risks and consequential costs.



EASYLOAD IN PRACTICE

Smart loading & unloading

EasyLoad is versatile and can be installed in vans, box vans, trailers, semi-trailers, trucks and containers. Thanks to its thoughtful design, the system offers a safe and efficient loading solution for a variety of vehicles and applications.

In trailers and semi-trailers, EasyLoad can also be double-mounted to load and unload longer loads from the side. With one remote control, they can operate simultaneously or separately.





POINTS OF ATTENTION

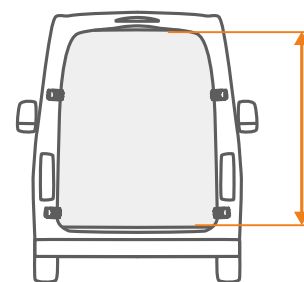
For the right EasyLoad composition

A suitable EasyLoad starts with the right configuration. The vehicle type, dimensions and application together determine the optimal composition. We have listed the most important points of attention for you. That way, you will benefit from maximum ease of use and optimum efficiency for years to come.



Available installation height vans

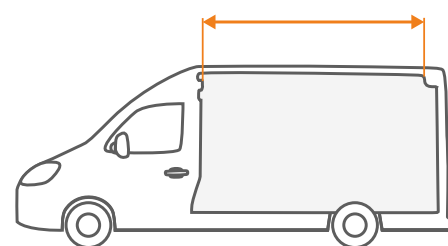
Measure the installation height to select the right frame. Take into account the mandatory additional solid cargo floor of at least 8 mm.



Installation height van

Available installation length

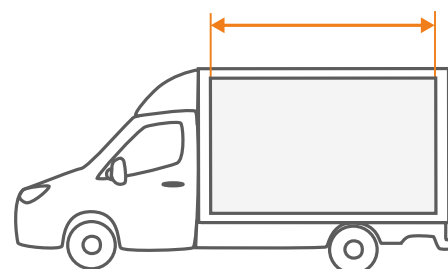
To fit an EasyLoad in a van or box van, the available installation length must be at least equal to the length of the EasyLoad (retracted). Take into account the course of the partition wall and the rear portal.



Installation length van

EasyLoad for box vans

The EasyLoad for a box van can be supplied with a set of crossbeams. This set consists of two crossbeams, two brackets and mounting hardware. Further provisions to absorb the forces of the EasyLoad must be provided by the fitting station.



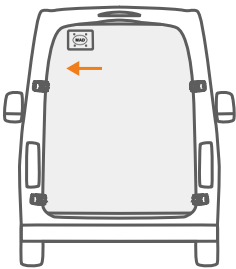
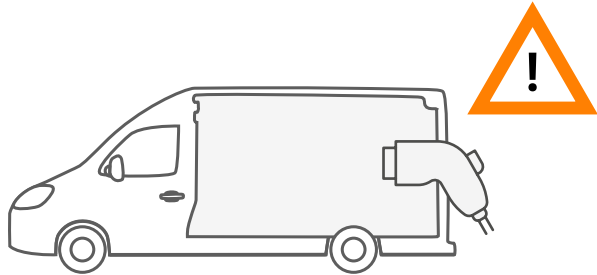
Installation length box van



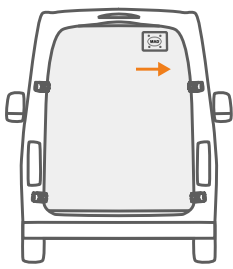
EasyLoad for other applications

EasyLoad is suitable for a wide range of applications. For vans it is supplied with a frame, and for box vans with a set of cross-beams.

Please contact us for specific applications.



Lock position left



Lock position right

Determining the securing position

The EasyLoad is secured during transport. When configuring the EasyLoad, it is important to determine the securing position (left or right). Consider factors such as the (existing) racking system and the position of the sliding door.

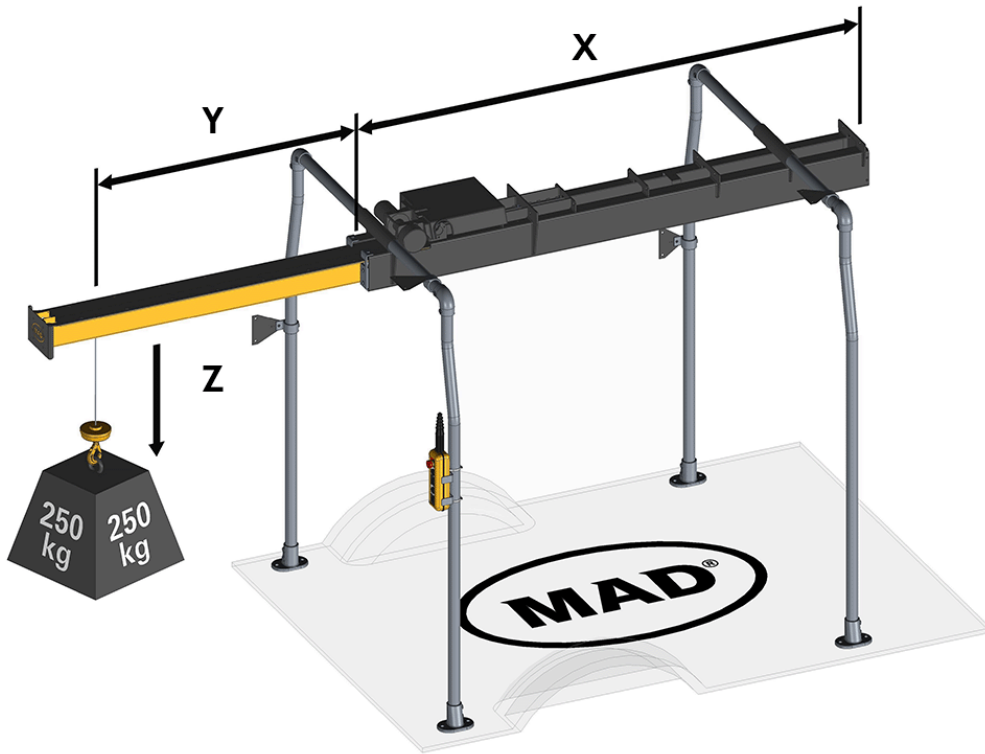
Electric vans

The EasyLoad frame is normally fixed to the floor of the van by a bolt connection, which involves drilling through the floor. For most electric vans this is not a problem, but on some models drilling through the floor at the positions of the uprights is not allowed. For these models we offer an additional fastening kit.

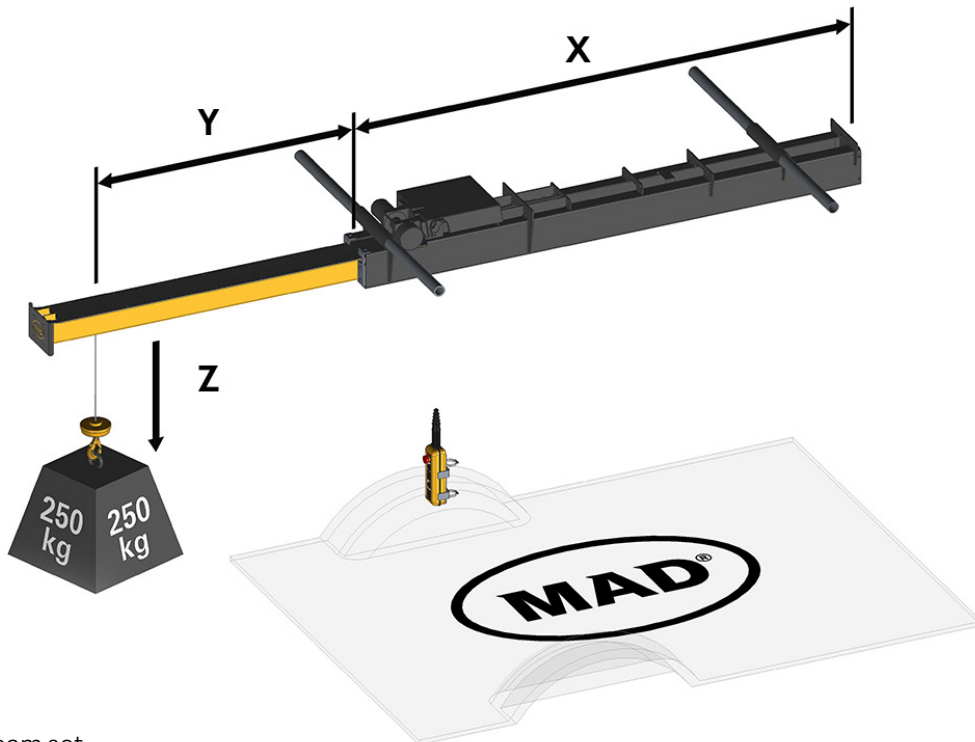
Note: The EasyLoad 502, equipped with an anchor point for a fall arrest device, can only be installed in electric vans in which drilling through the floor at the positions of the uprights is permitted, in accordance with the manufacturer's guidelines.

EASYLOAD

250



EasyLoad 250
Van frame



EasyLoad 250
Box van crossbeam set

- X Installation length
- Y Maximum reach behind vehicle
- Z Vertical reach of hook

EasyLoad

Part number	Type EL	Description	X	Y	Z	Weight
EL-250-1S3200	EL 250	EasyLoad - 250 kg - 12V	1,900 mm	800 mm	5.4 m	125 kg
EL-250-1S3210	EL 250	EasyLoad - 250 kg - 24V	1,900 mm	800 mm	5.4 m	125 kg
EL-250-1N320F	EL 250	EasyLoad - 250 kg - 12V	1,900 mm	800 mm	9.5 m*	125 kg
EL-250-1N321F	EL 250	EasyLoad - 250 kg - 24V	1,900 mm	800 mm	9.5 m*	125 kg
EL-250-2S3200	EL 250	EasyLoad - 250 kg - 12V	2,300 mm	1,200 mm	5.0 m	135 kg
EL-250-2S3210	EL 250	EasyLoad - 250 kg - 24V	2,300 mm	1,200 mm	5.0 m	135 kg
EL-250-2N320F	EL 250	EasyLoad - 250 kg - 12V	2,300 mm	1,200 mm	9.1 m*	135 kg
EL-250-2N321F	EL 250	EasyLoad - 250 kg - 24V	2,300 mm	1,200 mm	9.1 m*	135 kg

* Equipped with Dyneema hoisting cable.

Frames and crossbeam sets

Part number	Type EL	Part	Description	Weight
EF99000	EL 250	Van frame	Complete frame - installation height < 2 m - lock position left	58 kg
EF99003	EL 250	Van frame	Complete frame - installation height < 2 m - lock position right	58 kg
EF99007	EL 250	Van frame	Complete frame - installation height > 2 m - lock position left	59 kg
EF99012	EL 250	Van frame	Complete frame - installation height > 2 m - lock position right	59 kg
EF99014	EL 250	Box van crossbeam set	2 crossbeams 2,250 mm wide, 2 brackets and mounting hardware - lock position left	41 kg
EF99017	EL 250	Box van crossbeam set	2 crossbeams 2,250 mm wide, 2 brackets and mounting hardware - lock position right	41 kg

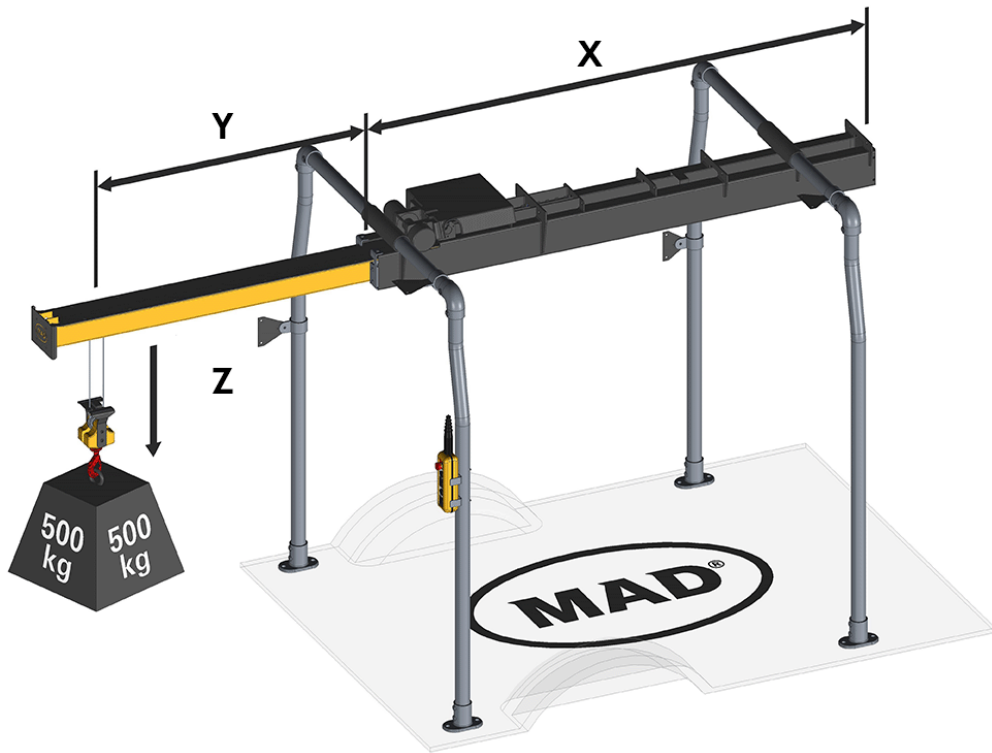
Mounting kits for electric vans with EasyLoad 250

Part number	Brand	Model	Type	Engine	Year built start/end	Remarks
EF99020	Ford	Transit	V363, FCD, FDD	E-Transit	03-2022 -	L2 only
EF99019	MAN	TGE	UY, UZ	eTGE	07-2018 -	
EF99019	Mercedes-Benz	Sprinter	910	eSprinter	02-2020 12-2023	FWD only
EF99019	Volkswagen	Crafter	SY, SX	e-Crafter	07-2018 -	

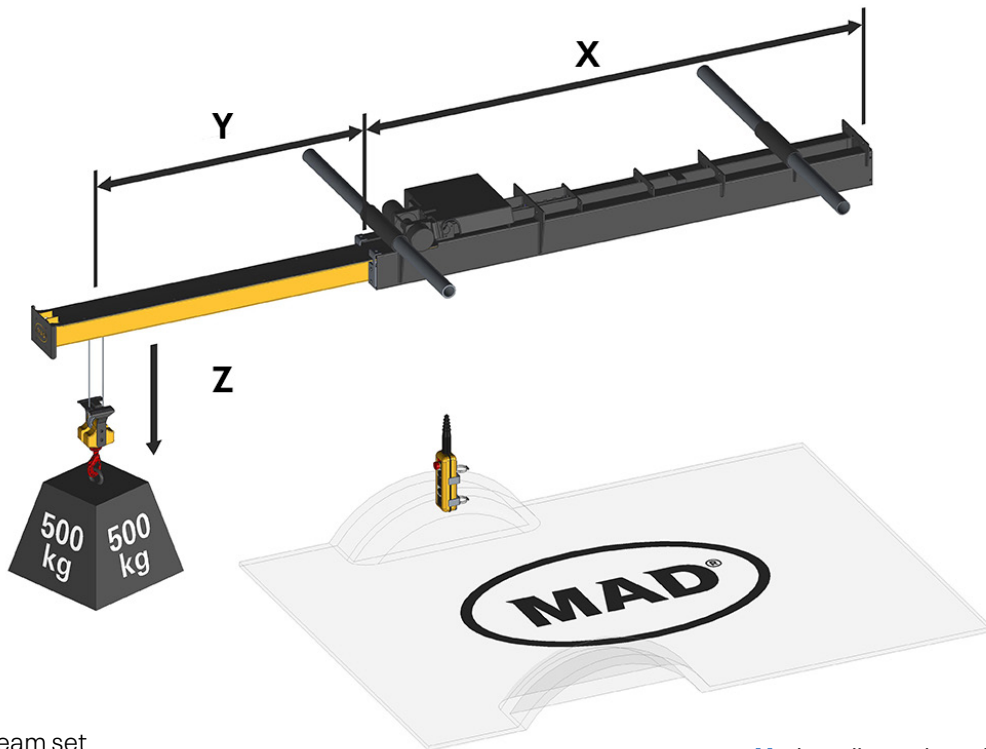
Is the electric van not listed? Please contact us to verify whether an alternative mounting kit is required and available.

EASYLOAD

500



EasyLoad 500
Van frame



EasyLoad 500
Box van crossbeam set

- X** Installation length
- Y** Maximum reach behind vehicle
- Z** Vertical reach of hook

EasyLoad

Part number	Type EL	Description	X	Y	Z	Weight
EL-500-1S3200	EL 500	EasyLoad - 500 kg - 12V	1,900 mm	770 mm	2.9 m	130 kg
EL-500-2S320D	EL 500	EasyLoad - 500 kg - 12V	2,300 mm	1,170 mm	2.7 m	140 kg
EL-500-2S321D	EL 500	EasyLoad - 500 kg - 24V	2,300 mm	1,170 mm	2.7 m	140 kg

Frames and crossbeam sets

Part number	Type EL	Part	Description	Weight
EF99001	EL 500	Van frame	Complete frame - installation height < 2 m - lock position left	86 kg
EF99004	EL 500	Van frame	Complete frame - installation height < 2 m - lock position right	86 kg
EF99008	EL 500	Van frame	Complete frame - installation height > 2 m - lock position left	88 kg
EF99013	EL 500	Van frame	Complete frame - installation height > 2 m - lock position right	88 kg
EF99015	EL 500	Box van crossbeam set	2 crossbeams 2,250 mm wide, 2 brackets and mounting hardware - lock position left	61 kg
EF99018	EL 500	Box van crossbeam set	2 crossbeams 2,250 mm wide, 2 brackets and mounting hardware - lock position right	61 kg

Mounting kits for electric vans with EasyLoad 500

Part number	Brand	Model	Type	Engine	Year built start/end	Remarks
EF99023	Ford	Transit	V363, FCD, FDD	E-Transit	03-2022 -	L2 only
EF99021	MAN	TGE	UY, UZ	eTGE	07-2018 -	
EF99022	Mercedes-Benz	Sprinter	910	eSprinter	02-2020 12-2023	FWD only
EF99021	Volkswagen	Crafter	SY, SX	e-Crafter	07-2018 -	

Is the electric van not listed? Please contact us to verify whether an alternative mounting kit is required and available.

SAFE DESCENTS ON LOCATION

EasyLoad with certified anchor point for fall arrest device

Working below ground level brings additional challenges. Safety and efficiency are crucial in this regard. The EasyLoad 502 offers the solution: a complete system for both lowering persons on site as well as controlled lowering and lifting of materials.

With a lifting capacity of up to 500 kg, a long lifting cable and a certified anchor point for a fall arrest device, the EasyLoad 502 offers optimum safety and ease of use. This version has been specially developed for vans.

A fall arrest device can easily be attached to the certified anchor point, allowing employees

to descend safely. This eliminates the need for a separate tripod above the manhole.

Smart solution for sewer inspection and renovation

The EasyLoad 502 is the ideal partner for sewer inspections and renovations. It allows employees to descend to the sewer safely.



EASYLOAD 502

Especially for vans

Lighting (optional)

Can be fitted with a wide-area or spot beam LED light.

Certified anchor point for fall arrest device

The anchor point complies with the NEN-EN 795:2012, the European standard for fall arrest systems.

Lifting capacity: up to 500 kg

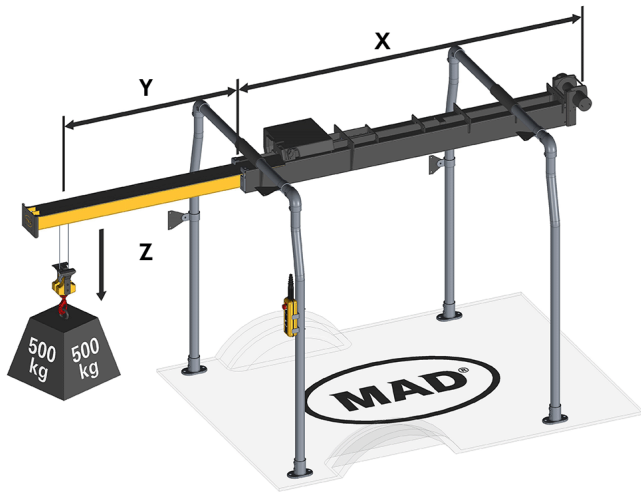
Vertical range of the hook: 17 m



EASYLOAD

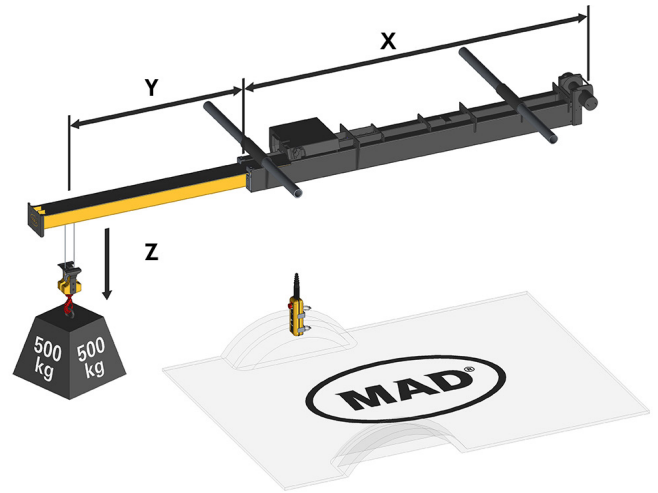
501 long hoisting cable

502 long hoisting cable & anchor point fall arrest device



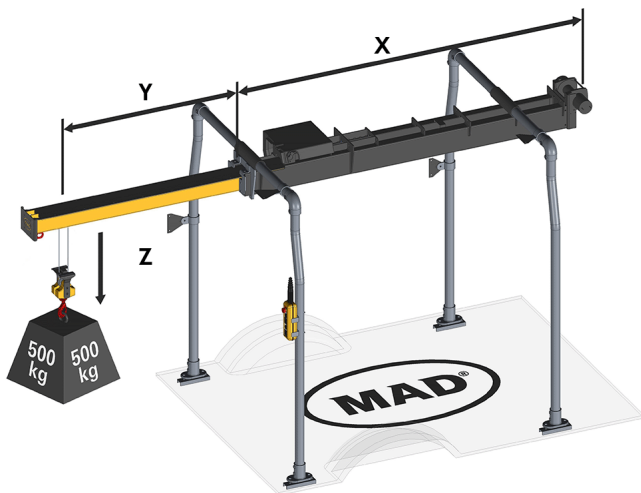
EasyLoad 501

Van frame



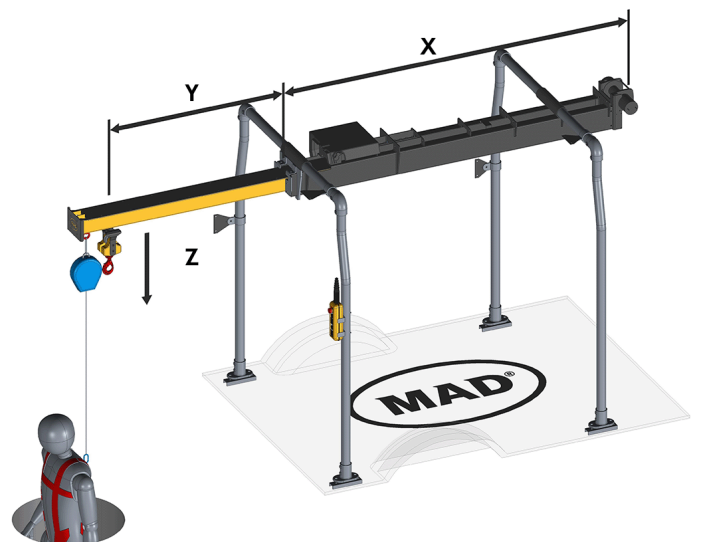
EasyLoad 501

Box van crossbeam set



EasyLoad 502

- Lifting capacity: 500 kg
- Equipped with certified anchor point for fall arrest device
- Available with frame for vans only



- X Installation length
- Y Maximum reach behind vehicle
- Z Vertical reach of hook

EasyLoad

Part number	Type EL	Description	X	Y	Z	Weight
EL-501-2S320D	EL 501	EasyLoad - 500 kg - 12V	2,500 mm	1,170 mm	17.0 m	184 kg
EL-502-2S3200	EL 502	EasyLoad - 500 kg - 12V Anchor point fall arrest device	2,500 mm	1,170 mm	17.0 m	187 kg

Frames and crossbeam sets

Part number	Type EL	Part	Description	Weight
EF99002	EL 501	Van frame	Complete frame - installation height < 2 m - lock position left	78 kg
EF99009	EL 501	Van frame	Complete frame - installation height > 2 m - lock position left	78 kg
EF99016	EL 501	Box van crossbeam set	2 crossbeams 2,250 mm wide, 2 brackets and mounting hardware - lock position left	63 kg
EX82015	EL 501	Conversion kit EL 501 > EL 502	Equipped with certified anchor point fall arrest device	45 kg
EF99010	EL 502	Van frame	Complete frame - installation height < 2 m - lock position left	101 kg
EF99011	EL 502	Van frame	Complete frame - installation height > 2 m - lock position left	101 kg

Mounting kits for electric vans with EasyLoad 501

Part number	Brand	Model	Type	Engine	Year built start/end	Remarks
EF99023	Ford	Transit	V363, FCD, FDD	E-Transit	03-2022 -	L2 only
EF99021	MAN	TGE	UY, UZ	eTGE	07-2018 -	
EF99022	Mercedes-Benz	Sprinter	910	eSprinter	02-2020 12-2023	FWD only
EF99021	Volkswagen	Crafter	SY, SX	e-Crafter	07-2018 -	

Is the electric van not listed? Please contact us to verify whether an alternative mounting kit is required and available.

Electric vans - EasyLoad 502

The EasyLoad 502, equipped with an anchor point for a fall arrest device, can only be installed in electric vans in which drilling through the floor at the positions of the uprights is permitted, in accordance with the manufacturer's instructions.

EASYLOAD

Accessories & spare parts

Part number	Type EL	Part	Description
EX82017	All	Lighting	Wide-area LED light, 12/24V, 18W, 1620 lumen, 60°
EX82016	All	Lighting	Spot beam LED light, 12/24V, 18W, 1620 lumen, 30°
EE01014	All	Controls	Wireless remote control (replaces wired remote control)
EX80012	EL 250/500	Hoisting cable	Hoisting cable replacement kit - steel - EL 250 and EL 500 - 5 mm x 10.25 m
EK80019	EL 250	Hoisting cable	Hoisting cable replacement kit - Dyneema - EL 250 - 4 mm x 15 m
EX80024	EL 501/502	Hoisting cable	Hoisting cable replacement kit - steel - EL 501 and EL 502 - 5 mm x 44 m (non-twisting cable)

Tip: Order accessories directly with an EasyLoad

Order accessories directly for integrated fitting.

For example, cables for lighting are neatly concealed.



DISTRIBUTED BY METALCRAFT GLASS RACKING

Phone: 03 3603373
Email: info@metalcraft.co.nz
Website: metalcraftglassracking.co.nz
Address: 500A Wairakei Road, Harewood, Christchurch, New Zealand